

Underwater EC Tester

Sensima inspection's "Underwater Eddy Current Tester" (UW0100-ECT-2CJM3GI) shares the inspection features of the "Ultraportable USB EC Tester" (multifrequency, probe identification, ...) in addition to being waterproof down to 1000 m / 3200 ft (depending on version).

Features

- Waterproof
- Absolute Eddy current tester
- Multifrequency (with integrated multiplexer)
- Directly compatible with most of your legacy waterproof Eddy current probes

Technical details

- Inspection method:** Absolute Eddy current (direct impedance measurement)
- Frequencies:** Up to 4 frequencies (multiplexed)
- Acquisition rate:** 250–1000 Hz (single channel)
- Power supply:** Powered by USB through long-distance communication cable (5 V)
- Dimensions:** $\varnothing 50 \times 160$ mm ($\varnothing 2 \times 6.3$ in)
- Maximum depth:** 100–1000 m (320–3200 ft)
- OS requirements:** Windows XP SP2 and later (Mac OS X, iOS and Android versions in development)

Customization

- Other long-distance communication protocols (Ethernet, RS-485, ...), other (waterproof) connectors.
- Adaptation to maximum depth (up to 1000 m / 3200 ft):
 - Complete set with 50 m (160 ft) long cable, probe, tester; all components certified up to a depth of 100 m (320 ft).
 - Tester certified up to a depth of 1000 m (3200 ft). Probes and cables upon request.

Ordering information

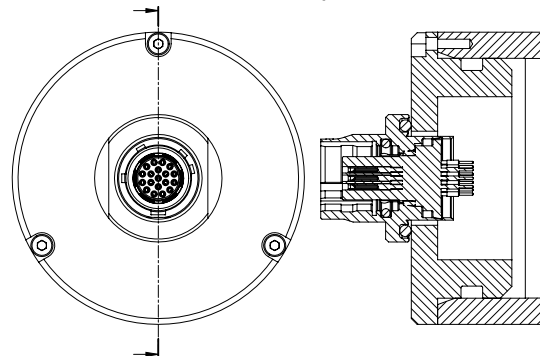
Product number: UW0100-ECT-2CJM3GI

Related products

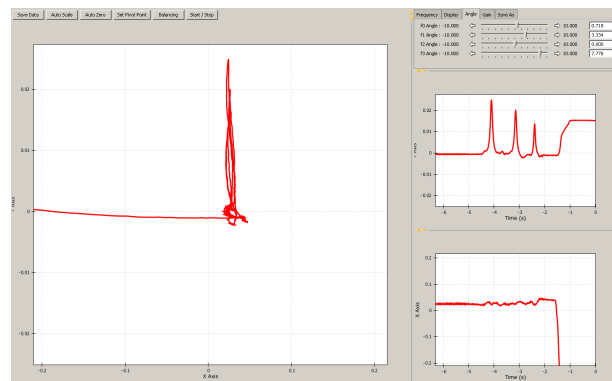
- Tester certified up to a depth of 1000 m / 3200 ft (UW1000-ECT-2E75FYB)
- Ultraportable USB version (USB-ECT-1UQQRL)
- Specific submarine probes and cables



The most compact underwater tester:
Comfortable for the diver and easy to mount on a ROV.



Uncompromising robustness:
Stainless steel enclosure with a maximum operating depth of 1000 m or 3200 ft (can be extended upon request).



Intuitive and easy-to-use software:
Ready to measure within seconds.

